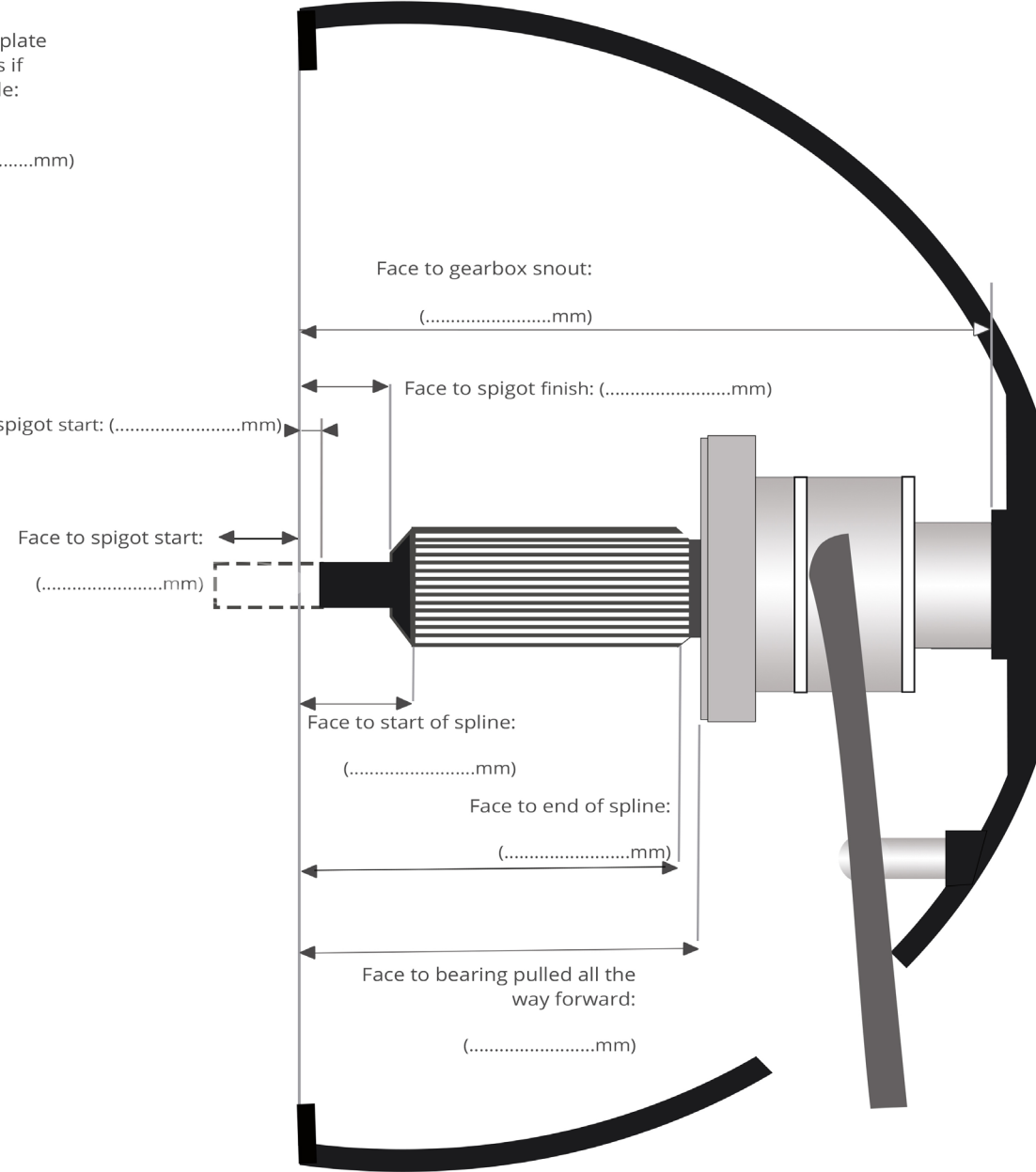
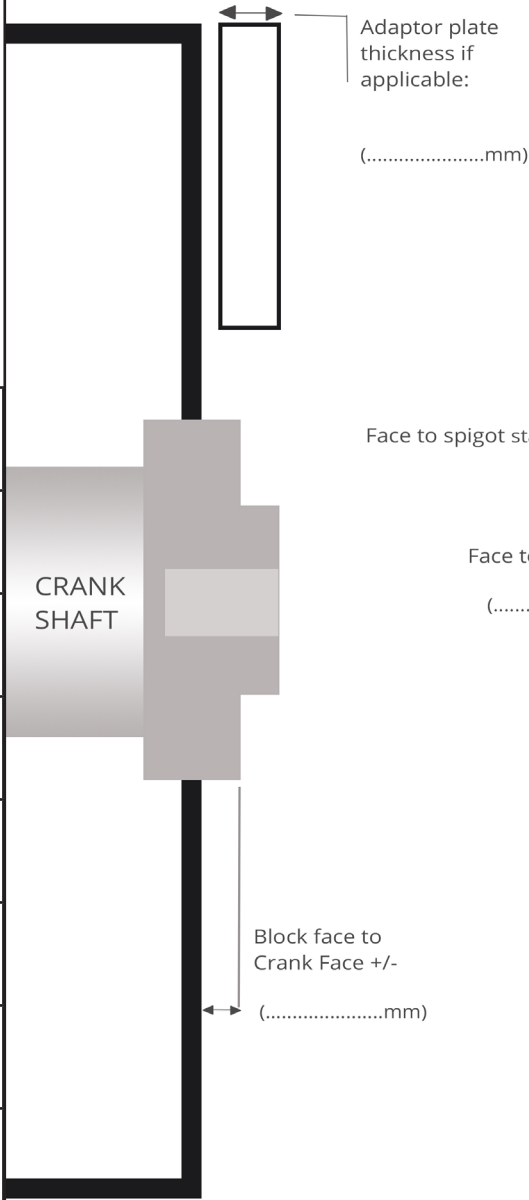




Clutch & Flywheel Setup Sheet

Bearing Forward

Name:
Phone:
Email:
Vehicle:
Engine:
Gearbox:
HP/Torque:
Spline:
Use:





Clutch & Flywheel Setup Sheet

Bearing Back

Additional Notes:

